

Directional Coupler

ZFDC-15-10



Frequency MHz	Coupling dB		Mainline Loss dB			Directivity dB			VSWR (:1)	Power INPUT, W		
	Nom.	Flatness	L Typ.	M Typ.	U Typ.	L Typ.	M Typ.	U Typ.		Typ.	L Max.	MU Max
800-1000	15.0±1.00	±1.0		0.30	0.70		23	17		1.20		5.0

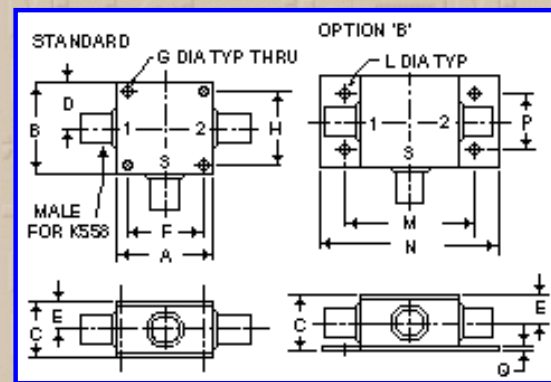
L=low range(f_L to $10f_L$) M=mid range($10f_L$ to $f_U/2$) U=upper range($f_U/2$ to f_U)

Pin Connections

Port	Input	Output	Coupled (forward)	Coupled (reverse)
db	1	2	3	-
Not Used Case GND Termination			GND	
-	-	-	-	-

Notes:

- Mainline Loss includes theoretical power loss at coupled port.
- General Quality Control Procedures and Environmental Specifications are given in [Mini-Circuits Guarantees Quality](#). Hi-Rel, MIL description are given in [Hi-Rel and MIL](#).
- Prices and Specifications subjects to change without notice.



FREQ (MHz)	I. Loss (dB) In-Out	Coupling (dB) In-CPL	Directivity (dB)	Return Loss (dB)		
				In	Out	CPL
800.00	0.21	15.38	21.07	23.74	21.63	23.17
805.00	0.22	15.34	21.11	23.60	21.62	23.05
810.00	0.22	15.29	21.17	23.48	21.61	22.92
815.00	0.23	15.25	21.24	23.35	21.60	22.80
820.00	0.23	15.21	21.32	23.22	21.60	22.68
825.00	0.23	15.17	21.38	23.10	21.59	22.56
830.00	0.23	15.12	21.45	22.97	21.57	22.44
835.00	0.24	15.07	21.48	22.84	21.57	22.31
840.00	0.23	15.03	21.58	22.71	21.56	22.18
845.00	0.23	14.98	21.67	22.58	21.56	22.07
850.00	0.23	14.93	21.72	22.46	21.55	21.94
855.00	0.22	14.88	21.79	22.34	21.55	21.83
860.00	0.22	14.84	21.86	22.21	21.55	21.72
865.00	0.22	14.80	21.93	22.09	21.54	21.58
870.00	0.22	14.75	22.01	21.98	21.54	21.47
875.00	0.22	14.71	22.09	21.85	21.54	21.36
880.00	0.23	14.69	22.18	21.74	21.54	21.24
885.00	0.24	14.65	22.29	21.61	21.53	21.12
890.00	0.25	14.62	22.32	21.49	21.53	21.01
895.00	0.26	14.58	22.41	21.37	21.52	20.89
900.00	0.27	14.56	22.49	21.24	21.52	20.78
905.00	0.28	14.53	22.61	21.12	21.52	20.65
910.00	0.28	14.49	22.66	21.00	21.53	20.54
915.00	0.30	14.46	22.75	20.89	21.53	20.42
920.00	0.29	14.42	22.83	20.77	21.53	20.31
925.00	0.29	14.38	22.92	20.65	21.54	20.20
930.00	0.29	14.33	23.03	20.54	21.54	20.07

Case Style - K18 (inch,mm) weight: 70 grams.

A	B	C	D	E	F	G	H	J
1.25	1.25	.75	.63	.38	1.000	.125	1.000	
31.750	31.750	19.050	16.002	9.652	25.400	3.175	25.400	
K	L	M	N	P	Q	R	S	T
	.125	1.688	2.18	.75	.07			
	3.175	42.875	55.372	19.050	1.778			

Tolerance: .x ± .1 .xx ± .03 .xxx ± .015 inch.

Material and Finish:

Case material: aluminum alloy. Finish: grey paint or yellow iridite.

Mounting bracket finish: iridite or clear anodize.

Mounting:

Mounting bracket available on request. Add suffix B to part number.

Marking:

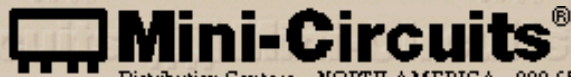
For port markings 1, 2, and 3 see specification data sheet.

Connectors:

Connectors: please specify, unless otherwise noted; BNC is standard, TNC, SMA and Type N, consult factory. (ZAPD -4 units not available with BNC).

For Bracket Version, Option B, this dimension, "C*", changes from 0.75 to 0.94 inches when connectors are type N or TNC.

935.00	0.28	14.28	23.13	20.42	21.55	19.97
940.00	0.28	14.24	23.21	20.30	21.55	19.84
945.00	0.27	14.19	23.29	20.19	21.56	19.73
950.00	0.26	14.15	23.42	20.07	21.56	19.63
955.00	0.26	14.10	23.52	19.95	21.58	19.51
960.00	0.25	14.07	23.59	19.83	21.58	19.40
965.00	0.26	14.03	23.72	19.72	21.59	19.29
970.00	0.26	14.00	23.84	19.60	21.61	19.18
975.00	0.27	13.98	23.95	19.49	21.62	19.06
980.00	0.29	13.95	24.03	19.38	21.62	18.95
985.00	0.30	13.93	24.18	19.27	21.63	18.84
990.00	0.31	13.91	24.30	19.15	21.64	18.74
995.00	0.33	13.89	24.40	19.05	21.66	18.63
1000.00	0.34	13.87	24.51	18.94	21.67	18.52



INTERNET <http://www.minicircuits.com>

P.O. Box 350166, Brooklyn, New York 11235-0003 (718) 934-4500 Fax (718) 332-4661

Distribution Centers NORTH AMERICA 800-654-7949 • 417-335-5935 • Fax 417-335-5945 • EUROPE • 44-1252-832600 • Fax 44-1252-837010

ISO 9001 CERTIFIED

[Back](#)

i2 Technologies US, Inc.

HTML Pages converted to PDF Document

This document contains component information from the manufacturer's website which are not available in a revision controlled document from the manufacturer. To facilitate the addition of these parts into the Electronics Database, we are converting the HTML pages related to that part, from the manufacturer's website into Adobe PDF format. The contents of this document is based on the information provided on the manufacturer's website, therefore the information may have been changed by the manufacturer since this was created.

